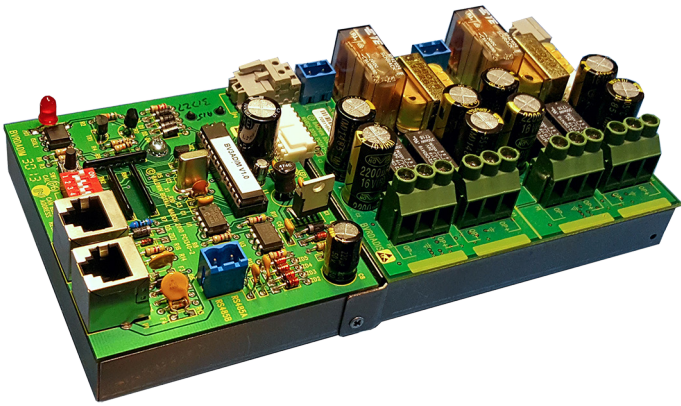


Monitoring DC Line

Certified to BSEN54



The DC line monitor isolator units are CANBUS modules for the VIGIL voice alarm systems with VIGIL3 amplification, consisting of two components: BV3ADIM and BV3ADIS.

VIGIL 3

FEATURES:

- Enables dual loudspeaker circuits to connect to a single amplifier.
- Each BV3ADIS unit provides both A&B circuits for two amplifiers.
- Up to 10 spurs per loudspeaker line.
- The BV3ADIM master unit connects to a VIGIL3 amplifier.
- Up to five BV3ADIS can be connected to one BV3ADIM.
- Fitting five BV3ADIS enables broadcast and monitoring for up to twenty loudspeaker circuits.
- The modules plug directly together.
- Utilises DC line monitoring techniques, therefore BEL end of line monitoring is not required. (Please refer to 'system requirements'.)
- Failure of either the A or B circuit from one amplifier will not effect the other circuit.
- In the event of an amplifier failure, reserve amplifiers will automatically operate.
- With five BV3ADIS fitted, a one-in-ten amplifier changeover ratio is enabled.
- Reduces rack size and cost for large voice alarm systems.
- Earth leakage detection.

SYSTEM REQUIREMENTS:

- Supports VIGIL2/3 amplifiers up to 300W.
- Each loudspeaker requires a capacitor (refer to table below). We recommend that you take advice from your loudspeaker supplier.
- Each end-of-line loudspeaker requires a 10K 2W (at 1% tolerance) resistor fitted across the line. (Available in packs of ten - product code BV3DADCR.)

Speaker Wattage	Capacitor requirement
6 Watts	1 μ f 250V DC
15 Watts	2.2 μ f 250V DC
30 Watts	4.7 μ f 250V DC
60 Watts	10 μ f 250V DC

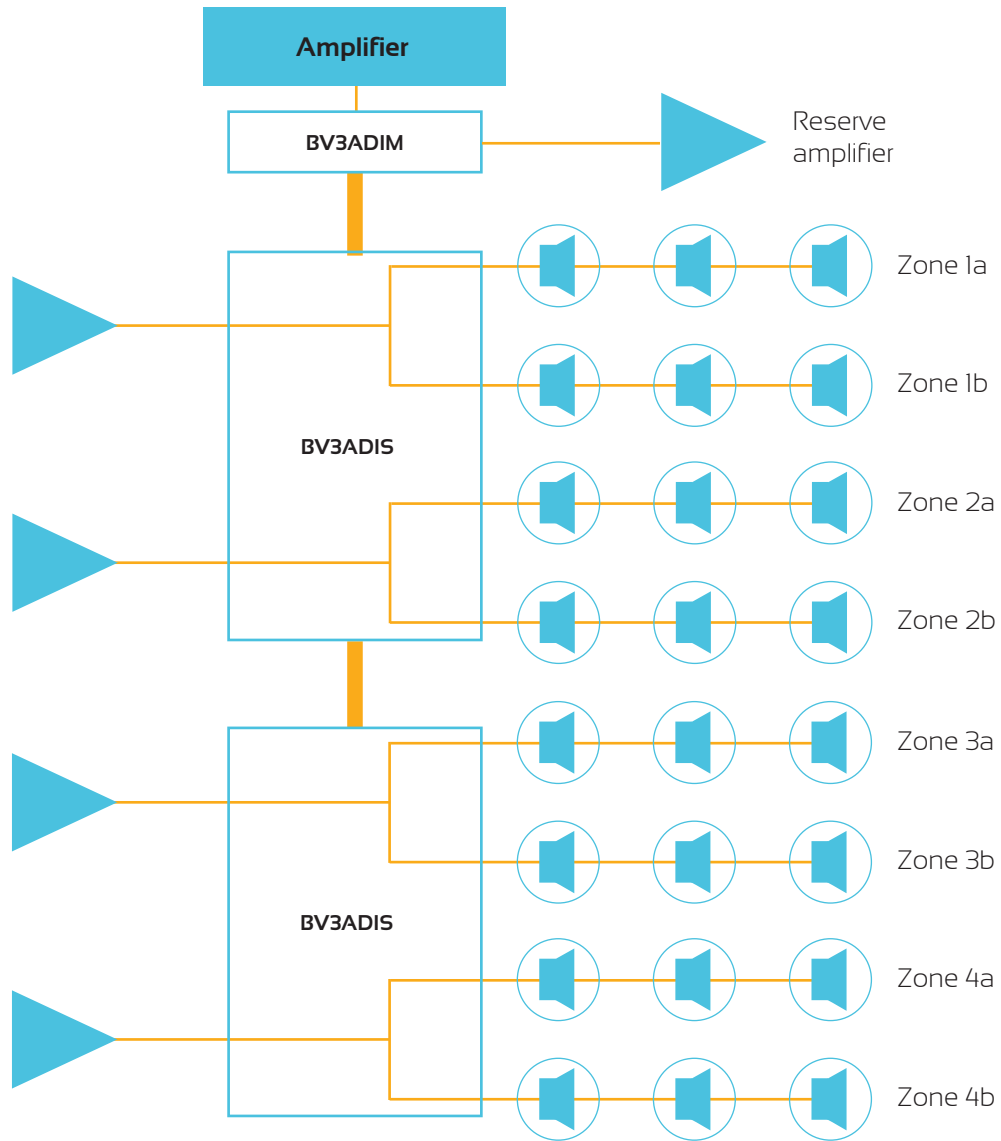
SYSTEM DESIGN:

System design is part of our commitment to provide a complete service from the initial planning stage through installation to after-sales technical support.

Our extensive range of standard products has been designed to accommodate most installation requirements. However our experienced design team often cater for projects that require bespoke solutions.

If you require any assistance with our products, or help with system design, please contact sales@baldwinboxall.co.uk.

TYPICAL APPLICATION:



BALDWIN BOXALL
LEADING THE WAY TO SAFETY

Baldwin Boxall Communications Ltd
Wealden Industrial Estate, Farningham Road,
Crowborough, East Sussex, TN6 2JR, United Kingdom

T: +44 (0) 1892 664422
E: hello@baldwinboxall.co.uk
W: www.baldwinboxall.co.uk