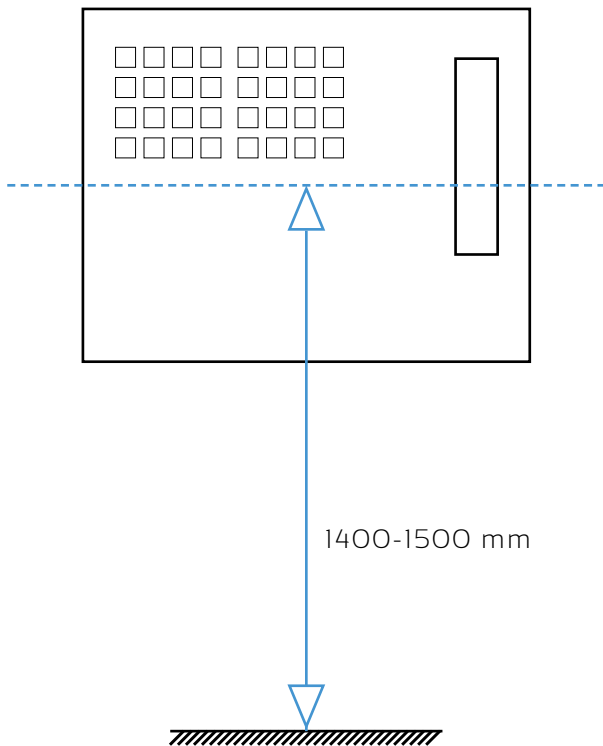


# EMERGENCY VOICE COMMUNICATION MOUNTING HEIGHTS

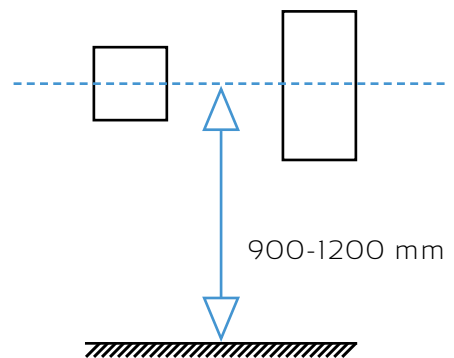
This document outlines the specified mounting heights for master control panels and outstations in an emergency voice communication (EVC) system. The information is extracted from BS5839-9:2011 and BS8300:2000.

## CONTROL PANEL:

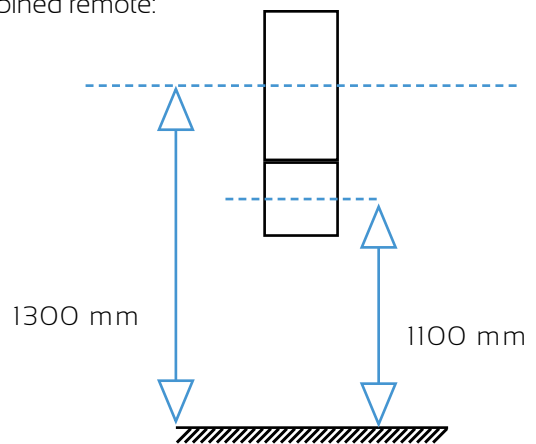


## REMOTE UNITS - IN REFUGE AREAS:

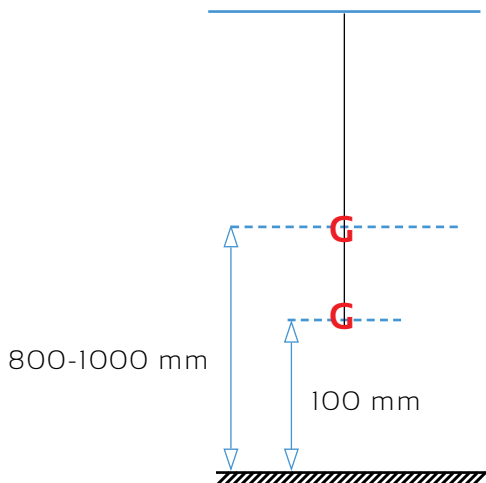
Typically disabled refuge remotes:



Combined remote:

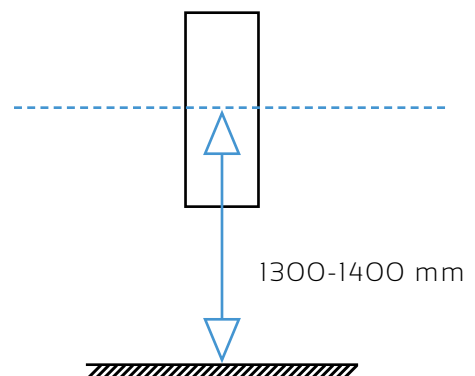


## DISABLED TOILET ALARM PULL CORD:



## REMOTE UNITS:

Typically fire telephones & steward telephones:



OmniCare is an emergency voice communication system that allows disabled refuge, fire telephones, emergency/steward telephones and disabled toilet alarms to be connected to one master control panel.

Individual leaflets are available which explain the OmniCare system in detail (master control panels, remote units, disabled toilet alarm and cabling & networking). For copies of these leaflets please contact: [mail@baldwinboxall.co.uk](mailto:mail@baldwinboxall.co.uk).

## • HOW CAN VIGIL OMNICARE HELP YOU?

- Loop wiring - saves up to 75% on cabling costs when compared to typical star circuit systems.
- One loop for multiple styles of remote unit - great flexibility.
- Combined remote unit available - featuring fire telephone and disabled refuge in one.
- Follow guidelines of BS58300:2009, BS5839-9:2011 and BS9999:2008.
- Satisfy the requirements of the DDA.
- Assurance of our reputation for quality and support.
- Above all - VIGIL OmniCare can help you save life!



A selection of remote units which can be connected on a single loop to an OmniCare master control panel.

## BALDWIN BOX▲LL

TEL: +44 (0) 1892 664422  
FAX: +44 (0) 1892 663146

EMAIL: [MAIL@BALDWINBOXALL.CO.UK](mailto:MAIL@BALDWINBOXALL.CO.UK)  
WEB: [WWW.BALDWINBOXALL.CO.UK](http://WWW.BALDWINBOXALL.CO.UK)

BALDWIN BOXALL COMMUNICATIONS LTD  
WEALDEN INDUSTRIAL ESTATE,  
FARNINGHAM ROAD, CROWBOROUGH,  
EAST SUSSEX, TN6 2JR, UNITED KINGDOM.



WE RESERVE THE RIGHT TO CHANGE THE PRODUCT SPECIFICATION WITHOUT PRIOR NOTICE OR LIABILITY. DOC NO: 4.0004.0311