

EVACUATION SOLUTIONS

LEISURE



Leisure Audio Management Systems

Baldwin Boxall's leisure audio management systems are individually designed and configured from the VIGIL2 range of products. The systems fully comply to all relevant current and possible future standards - including BS5839-8, EN6809, EN54 pt 16, BS5839-9 and BS9999 (for the disabled toilet alarm).

People relaxing and having fun are even less likely to react to traditional bells and sounders in the event of a fire, or other emergency. Relying on trained staff members to move the public from danger can easily result in confusion and panic. A VIGIL2 voice alarm (VA) system, with its pre-recorded voice messages, ensures controlled evacuation of any area or structure. Cinemas, holiday complexes, hotels, adventure parks, museums, swimming pools, etc, can, and do, benefit from our EVAS voice alarm systems.

In addition to voice alarm, installing an OmniCare (fire telephone and disabled refuge) system ensures everyone is catered for. This ensures that even the most vulnerable can be safely evacuated.

The VIGIL2 range of products allows for great flexibility and provides a complete solution for any leisure environment. A major aspect of the system is the sophisticated, yet user-friendly, zoning, routing and full audio path monitoring facilities and dedicated battery back-up systems as required in life safety systems. The feature-rich VIGIL2 EVAS DSP-controlled routing matrix forms the heart of the system.

Many buildings require the provision of disabled refuge areas and fire telephone systems. OmniCare provides the complete solution, enabling different types of remote - including disabled toilet alarms - to be wired on the same circuit. The system is then controlled from one, or more if wanted, central panel.

Further information on any of our products can be found on our website: www.baldwinboxall.co.uk

Application requirements:

- Fire alarm linked voice alarm system.
- Staff/public information/public address system.
- Phased evacuation.
- Control microphone.
- Paging microphones.
- Pre-recorded messages.
- Ambient noise sensing.
- De-centralised or centralised system.
- Induction loop.
- Emergency fireman's microphone.
- Background music option.
- Battery backup and full monitoring.
- Disabled refuge area communication.
- Fire telephone system.
- Disabled toilet alarms.

Operational benefits:

- Provision of clear and precise instructions in the event of an emergency.
- Zonal/'all call' facility for phased evacuation and coded messages.
- Selectable emergency/alert alarm tones.
- Routing to selected loudspeaker zones.
- Background / mood music, with interrupt for announcements.
- Central monitoring of all disabled toilet alarms.
- Permanently active fire telephone system.

Leisure projects

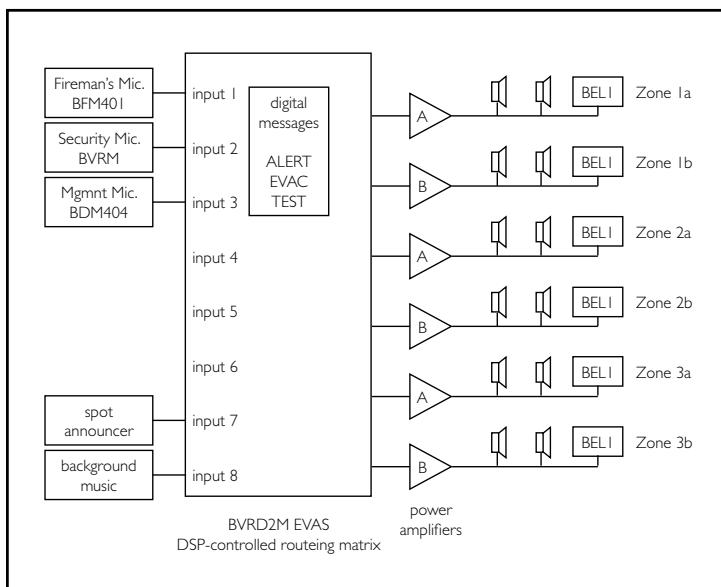
Some of the leisure facilities protected by Baldwin Boxall's VIGIL life safety systems:

- Royal Albert Hall
- O2 Arena, Ireland
- Sadlers Wells Theatre
- Centre Parcs
- Legoland, Windsor
- Imperial War Museum
- Victoria & Albert Museum
- Bracknell Leisure Centre
- Paignton Zoo
- Eden Project
- Bowlplex, various
- Nottingham Ice Rink
- Odeon Cinemas
- Hilton Hotel, various
- Arora Hotel, Gatwick
- Butlins, various
- Thorpe Park Ride



Services offered:

- Total sound solutions.
- Site survey.
- System build.
- Factory acceptance testing.
- Project management services.
- Commissioning.
- System maintenance contracts.
- After sales technical support.



Typical equipment list

Voice evacuation system:

BFM401	Single zone/all call fireman's microphone
BVRD	Voice alarm controller microphone
BDM416	Sixteen zone paging microphone
BVRD2M & BVRD2MS	VIGIL2 EVAS DSP-controlled router and slave unit
BV120D/BV050Q	Class D dual 20 Watt & quad 50 Watt amplifiers
BV5MP	Switch mode power supply
BVRADCO	Automatic amplifier changeover.
BVRAMB	Ambient noise sensor
ACDR / AMTDAB	Six disc CD player / DAB tuner
BY110FT	Battery pack 110 A/H
BVRDFPI	Fire panel interface
BEL1 units	End of line units (to monitor loudspeaker lines)

OmniCare disabled refuge/fire telephone system:

BVOC32M	32-way control panel
BVOCFSL	Fire telephone, stainless steel, with locking door
BVOCECPS	Stainless steel disabled refuge remote
BVOCDTA	Disabled toilet alarm kit

BALDWIN BOXALL

TEL: +44 (0) 1892 664422
FAX: +44 (0) 1892 663146

EMAIL: MAIL@BALDWINBOXALL.CO.UK
WEB: WWW.BALDWINBOXALL.CO.UK

BALDWIN BOXALL COMMUNICATIONS LTD
WEALDEN INDUSTRIAL ESTATE,
FARNINGHAM ROAD, CROWBOROUGH,
EAST SUSSEX, TN6 2JR, UNITED KINGDOM.



WE RESERVE THE RIGHT TO CHANGE THE PRODUCT SPECIFICATION WITHOUT PRIOR NOTICE OR LIABILITY. DOC NO. 2.0002.04.10